

SCALDAPATATE ELETTRICO E900XP
ELECTRIC TOP CHIP SCUTTLE E900XP

PNC	Model	Ref	Pag.	Brand	Version	Notes
391098	E9CSPDC000	a	2	ELX	EL	ELECTRIC CHIP SCUTTLE TOP 400 MM
392098	Z9CSPDC000	b	2	ZAN	EL	ELECTRIC CHIP SCUTTLE TOP 400 MM
393098	A9CSPDC000	c	2	OEM	EL	ELECTRIC CHIP SCUTTLE TOP 400 MM

Index

General components / componenti generali
Spare parts list / Lista ricambi

Page

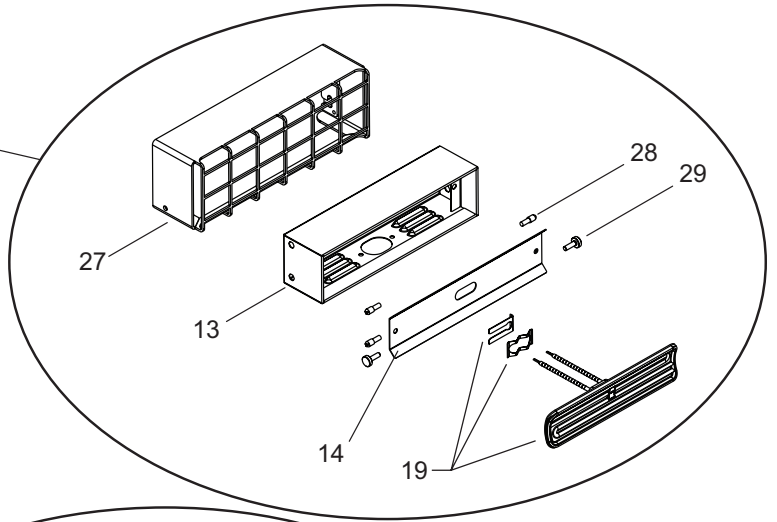
2
3

Bold=last change / Grassetto =ultima modifica

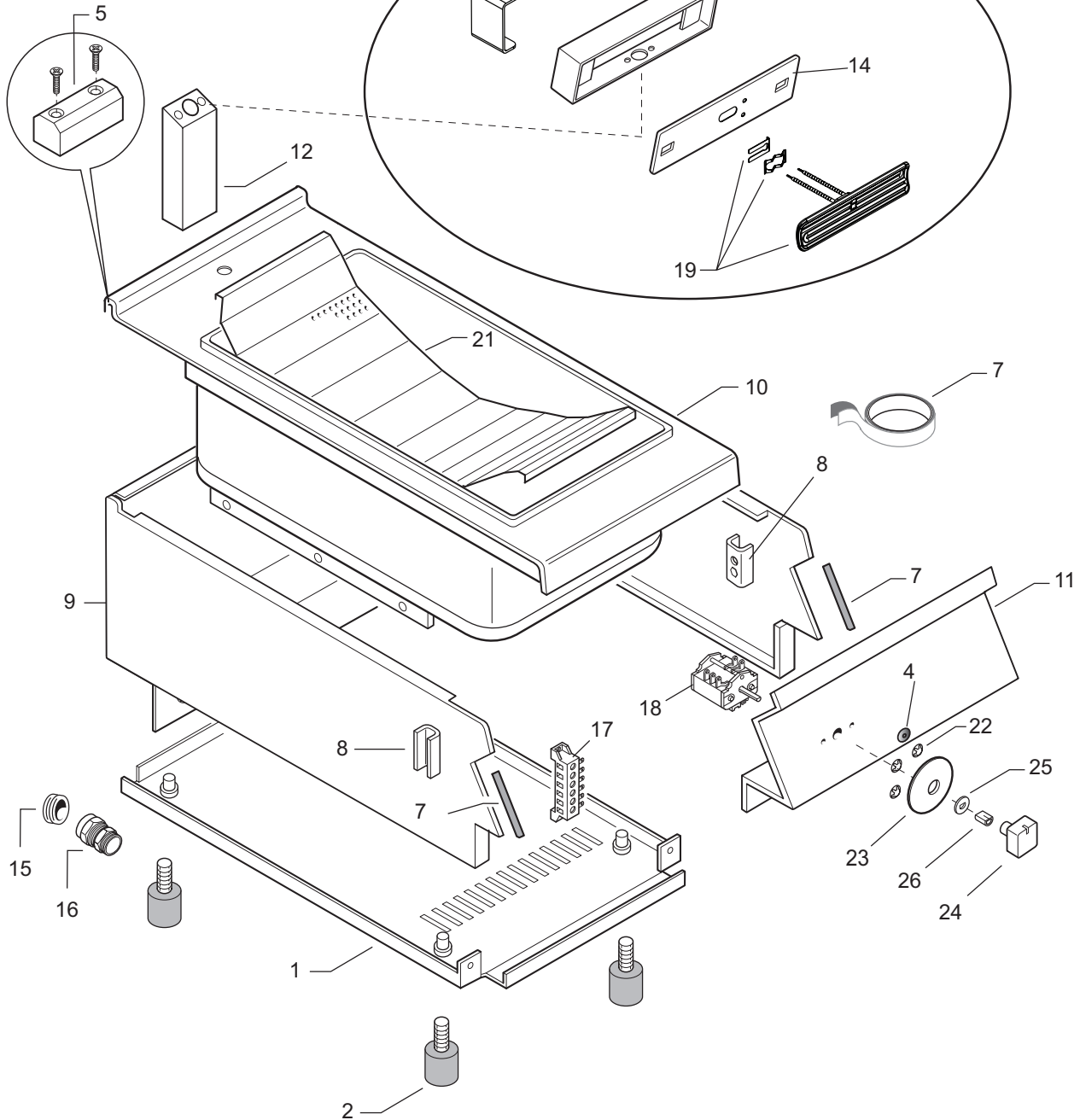
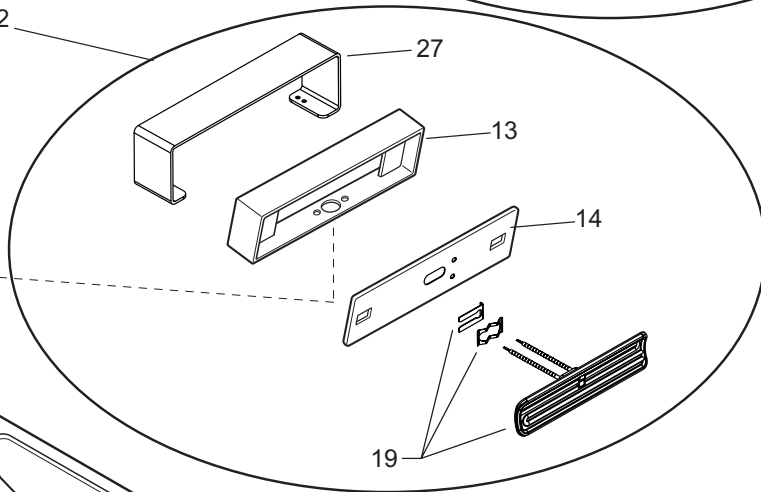
Rev. 4

From Ser. Nr.... Up to Ser. Nr....	Ed. 2011-04 Updated 2021-12	Page: 1	Doc No:59785GB00
---------------------------------------	--------------------------------	---------	-------------------------

NEW from wk 2019/03



OLD up to wk 2019/02



SCALDAPATATE ELETTRICO E900XP
ELECTRIC TOP CHIP SCUTTLE E900XP

Pos	Factory Code	Spare part Code	Descrizione	Description	Ref./Notes
1	0529876210	0C0308	FONDO	BOTTOM PANEL	
2	0315252601	026806	PIEDINOCON VITE	SCREW FOOT FOR TOP	
3	085089DU00		FASCIA TOP 400	ESTERNAL PANEL TOP 400	ELX
3	087089CD00	0C7604	FASCIA TOP 400	ESTERNAL PANEL TOP 400	ZAN, OEM
4	0541813800		RONDELLA SILIONE	SILICONE WASHER	
5	0516860702	0C0137	PIASTRINA PER GIUNZIONE	JOINTING REAR PLATE	
7	0543821900	0C2496	GUARNIZIONE PER CRUSCOTTO	GASKET, CONTROL PANEL	
8	085089DR00	0C0156	PIASTRA FISSAGGIO FIANCHI	SIDE PANEL JOINTING PLATE	
10	087089CD01	0C7604	RIPIANO VASCA	TUB CHIP SCUTTLE	ELX Up to 2019/02
10	087089CD02	*	RIPIANO VASCA	TUB CHIP SCUTTLE	ELX From 2019/03
10	087089JG01	0C7618	RIPIANO VASCA	TUB CHIP SCUTTLE	ZAN, OEM Up to 2019/02
10	087089JG02	*	RIPIANO VASCA	TUB CHIP SCUTTLE	ZAN, OEM From 2019/03
11	085589B102	0C7591	CRUSCOTTO 400	CONTROL PANEL 400	ELX
11	050389CJ01	0C7595	CRUSCOTTO 400	CONTROL PANEL 400	ZAN
11	0800839000	*	CRUSCOTTO 400	CONTROL PANEL 400	OEM
12	0806807001	0C0556	SUPPORTO SCATOLA RESISTENZA	SUPPORT BOX HEATING ELEMENT	Up to 2019/02
12	080083D600	*	SUPPORTO SCATOLA RESI-STENZA	SUPPORT BOX HEATING ELE-MENT	From 2019/03
13	522878800	0C5289	SCATOLA RESISTENZA	BOX HEATING ELEMENT	Up to 2019/02
13	50089D900	*	SCATOLA RESISTENZA	BOX HEATING ELEMENT	From 2019/03
14	0533837402	0C5290	SUPPORTO RESISTENZA	SUPPORT FOR HEATING ELEMENT	Up to 2019/02
14	50589MX00	*	SUPPORTO RESISTENZA	SUPPORT FOR HEATING ELE-MENT	From 2019/03
15	0246530100	005382	PASSAFILO DIA.22	GROMMET DIA.22	
16	544802300	0C0068	PRESSACAVO	TOGHTENER CORD	
17	0639804901	*	MORSETTIERA	MAIN TERMINAL BLOCK	
18	0A05443500	0A2241	COMMUTATORE	SWITCH	
19	061783AV00	0CB560	RESISTENZA INFRAROSSO 1kW	INFRARED HEATING ELE. 1kW	PDX2018-04
21	0529879401	0C0554	FALSO FONDO FORATO	FALSE BOTTOM	
22	0218912211	069567	MOLLETTA PER GHIERA	SPRING, KNOB RING	
23	0548877H00	0C7424	GHIERA PER MANOPOLA	KNOB RING FOR SWITCH	ELX
23	0548879R00	0C7572	GHIERA PER MANOPOLA	KNOB RING FOR SWITCH	ZAN, OEM
24	0511850G01	0C6670	MANOPOLA	KNOB	ELX
*	0548877V00	0C7345	ADATTATORE MANOPOLA	KNOB ADAPTER	ELX
24	0548878201	0C7232	MANOPOLA	KNOB	ZAN
24	0548865500	0A5621	MANOPOLA	KNOB	OEM
25	0543821000	053816	GUARNIZIONE PER MANOPOLA	GASKET, KNOB	
26	0214590701	025245	MOLLETTA PER MANOPOLA	SPRING, KNOB	
27	0528845000	*	PROTEZIONE LAMPADA	LAMP GRID	Up to 2019/02
27	085089PL00	*	PROTEZIONE LAMPADA	LAMP GRID	From 2019/03
28	0214442903	052220	VITE M6 CON TESTA DIA.7.9	M6 SCREW DIA.7.9	From 2019/03
29	0516841100	0C3101	GHIERA	KNOB	From 2019/03